

Assembly & Installation Guidelines Sliding Doors — Framed Three Door

Please read these guidelines carefully before installing and using the product.

SAFETY INFORMATION

- Always wear appropriate safety equipment.
- This product requires two people for installation.
- If this product falls down, serious or fatal crushing injuries can occur. This product should be permanently fixed to the wall – contact your local fastening device retailer for advice on what fastening devices are suitable for your walls.
- Assembly should be carried out by an appropriately skilled person, due to the risk of wrongful assembly leading to injury or damage.

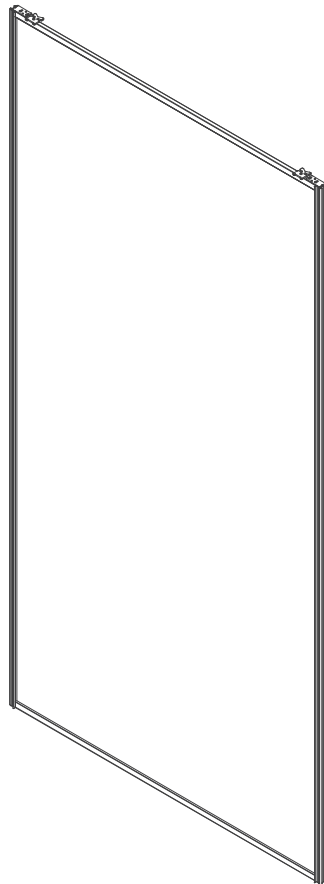


Assembly & Installation Guidelines

Sliding Doors — Framed Three Door

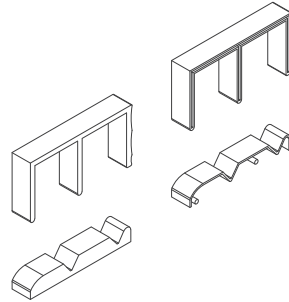
ITEMS INCLUDED IN THE BOX

DOOR PANEL BOXES

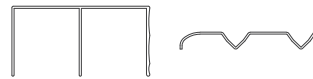


3 x framed door panel
Custom size

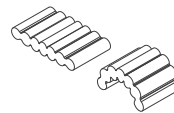
DOOR TRACK BOX



1 x top and bottom track
plastic end caps
84 mm W x 44 mm H x 10 mm D



1 x top and bottom track
Top track: 82 mm W x 42 mm H
Bottom track: 82 mm W x 11 mm H



2 x door stops
60 mm W x 10 mm H x 40 mm D

EXTRA ITEMS AND TOOLS REQUIRED CHECKLIST

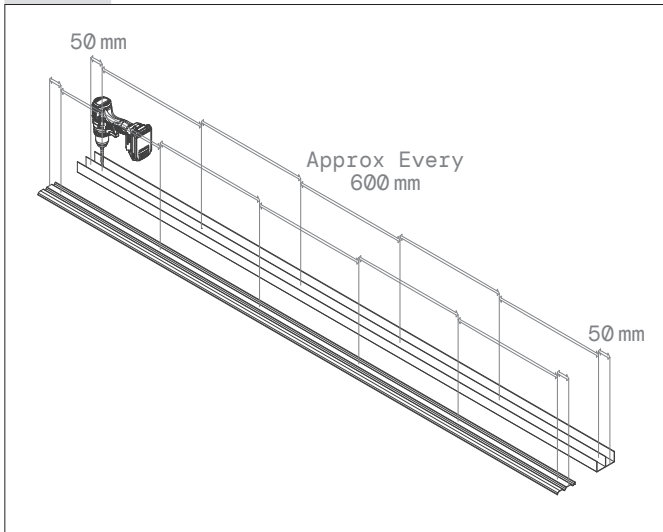
These items are readily available from all major hardware stores.

Drill	<input type="checkbox"/>
Stepladder	<input type="checkbox"/>
Phillips head screwdriver	<input type="checkbox"/>
PH2 Phillips head driver bit	<input type="checkbox"/>

Measuring tape and pencil	<input type="checkbox"/>
3 mm drill bit	<input type="checkbox"/>
Silicone	<input type="checkbox"/>
Screws: 6 x 08G x 25 – 6 x 06G x 32mm	<input type="checkbox"/>

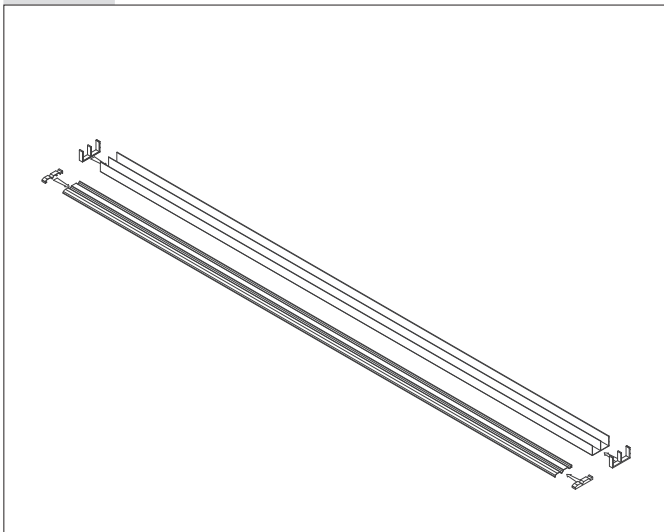
IMPORTANT INFORMATION

- Ensure opening is fully prepared prior to install.
- Read guidelines carefully before commencing.

Step 1

Open door track box.

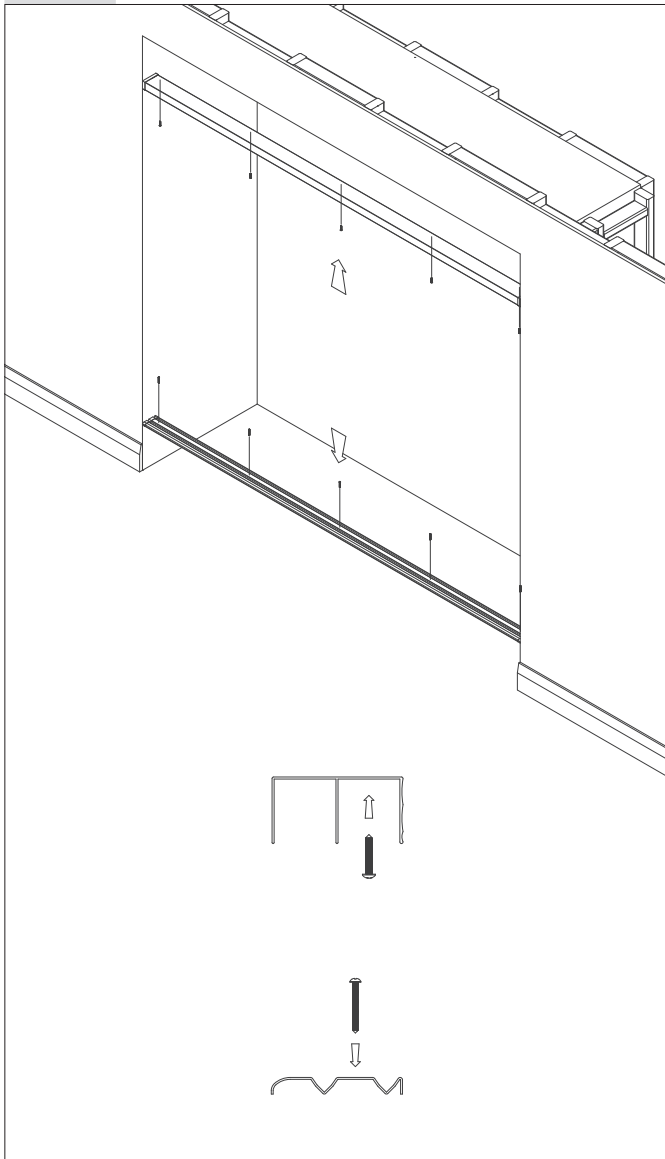
Pre-drill 3 mm holes in top and bottom track 50 mm from each end and approximately every 600 mm.

Step 2

Fit end caps to top and bottom track.

Assembly & Installation Guidelines Sliding Doors — Framed Three Door

Step 3

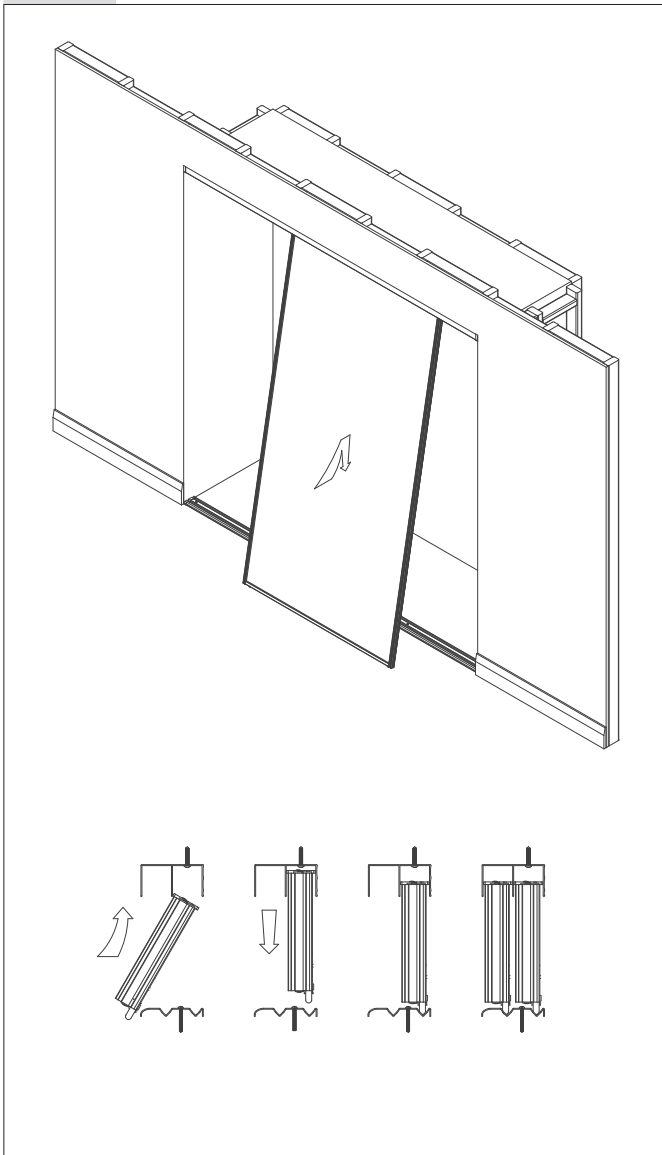


Fix top track flush with front of opening (jamb). Fix bottom track to floor.

Ensure end caps are hard against side jambs.

TIP:

- 08G x 25 mm screw in head track, 06 x 32 mm screw into sill track.
- For tile floor, use silicone to fix bottom track to floor.

Step 4

Open door panel 1 box.

Insert top of door into rear channel of top track.

Lift door into rear sill track.

Open door panel 2 box.

Repeat above steps for the door at the front of system.

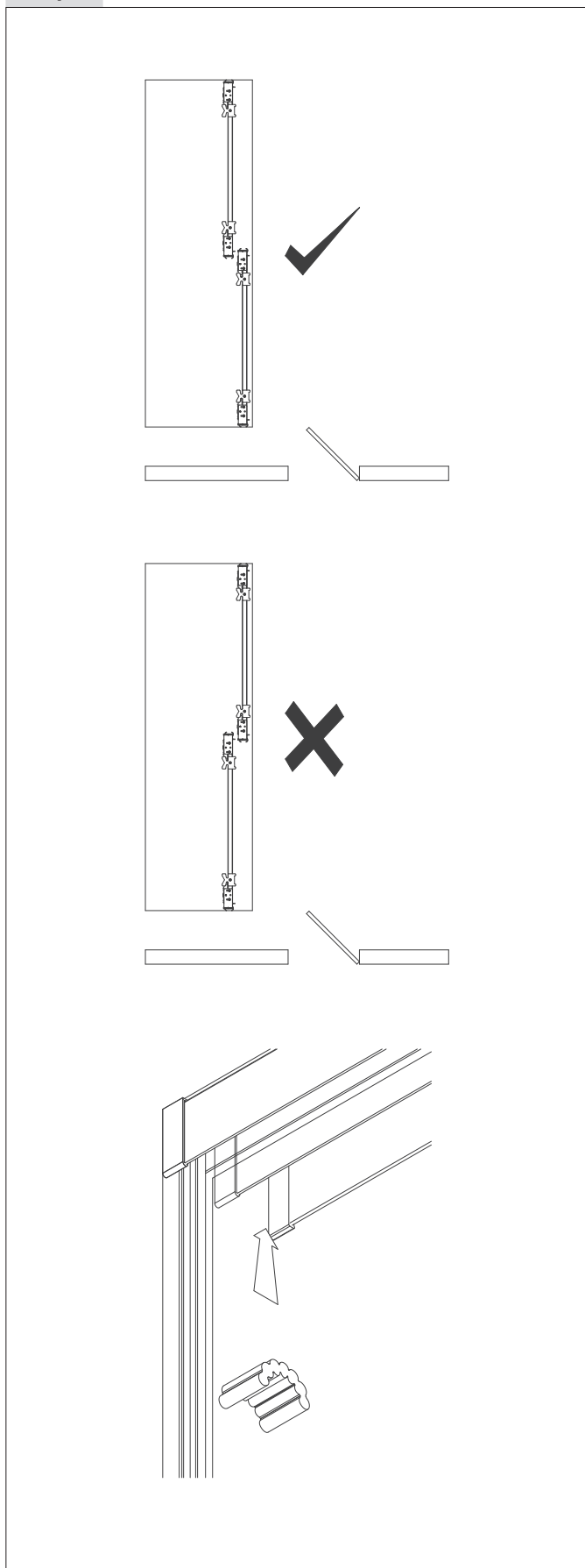
Open door panel 3 box.

Repeat above steps for the door at the back of system.

TIP: Before inserting the door, ensure K block located on top of door is parallel with door.

Assembly & Installation Guidelines Sliding Doors — Framed Three Door

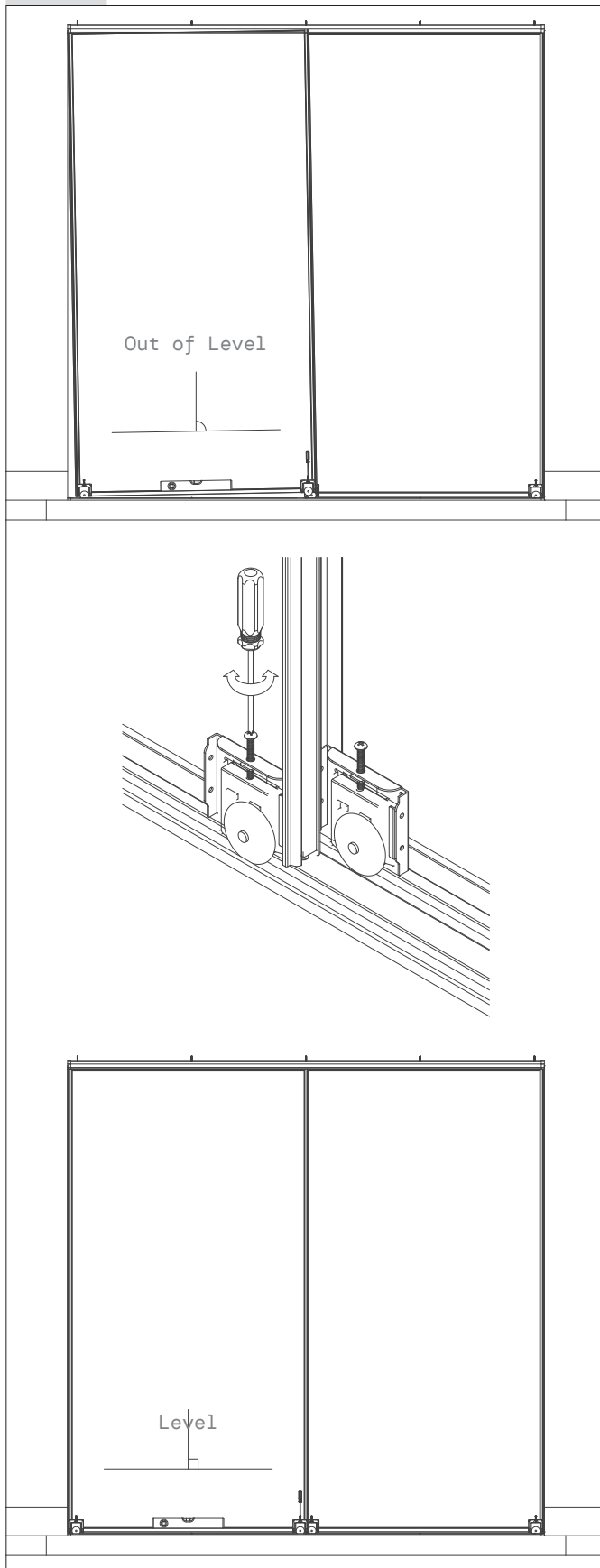
Step 5



Close each door to side of jamb.

TIP: Ensure door overlap faces away from room entrance to avoid seeing overlap gap.

Fit the door stop to opposite end of track (flex stop and place into track).

Step 6

Adjust wheels using Phillips head screwdriver, winding up or down until door is plumb against side jamb.

Slide door back and forward to ensure door is sliding freely.

Clean door surface if required.



Stegbar is not providing any installation of the product, which is your responsibility. The information in this assembly document is of a general nature only and is provided regarding a typical installation process. Accordingly, this assembly document does not take into account your specific circumstances, environment, needs, tools or skills.

You should not rely solely on the general information in this assembly document for installation. There are risks associated with installation and you assume those risks voluntarily by installing this product. To the extent permitted by law, Stegbar does not accept responsibility and is not liable for any loss, damage or injury suffered by you as a result of any circumstances specific to you that are not addressed in these assembly documents.

You should independently consider whether the services of any third party are appropriate for you. Any service supplied by a third party is subject to the terms and conditions of that third party. Stegbar is not responsible for any agreements, maintenance, delivery or satisfaction of any transactions undertaken with a third-party provider. To the extent permitted by law, Stegbar is not responsible and is not liable for any loss, damage or injury suffered by you as a result of the conduct of the third party.

Stegbar reserves the right to alter or amend without prior notice general information and design details specified in these assembly documents.
STENAT0050/1224 | stegbar.com.au | Version 1.0 | December 2024